

The logo for GivEnergy, with 'Giv' in dark blue and 'Energy' in a light teal color. The background features a white mountain-like shape at the top and a dark blue area at the bottom with a white wave-like pattern of thin lines.

GivEnergy

User Manual

Hybrid Inverter

(V1.00)

Contents

1	Notes on this manual	4
1.1	Validity.....	4
1.2	Target Group	4
1.3	Additional information.....	4
1.4	Storage of the manuals.....	4
1.5	Symbols Used	5
1.6	Markings on this product	6
2	Safety and conformity.....	7
2.1	Safety Instructions	7
3	Product Description	9
3.1	Inverter Overview	9
3.2	Information of the unit.....	9
3.3	Storage of Inverter	10
4	Unpacking.....	11
5	Installation and Electrical Connection.....	12
5.1	Safety	12
5.2	Selecting the installation location.....	13
5.3	Mounting the Inverter with bracket	17
5.4	Fixed the inverter on the wall	18
5.5	Check Inverter Installation Status.....	19
5.6	Electrical Connection.....	20
5.6.1	Safety	20
5.6.2	System Diagram with Inverter Electrical.....	20
5.6.3	Connecting to the grid (AC utility).....	22
5.6.4	Connect to PV Panel.....	24
5.6.5	connect to the battery.....	27
5.6.6	Load monitor connect to the inverter.....	28
6	The inverter parameter setting	30
7	Communications	30
7.1	WIFI.....	30
7.2	DMR0	30
8	Start-Up and shut down the inverter.....	31
8.1	Start-Up the inverter	31
8.2	Disconnecting the Inverter.....	31
9	Maintenance and Cleaning.....	32
9.1	Checking Heat Dissipation	32
9.2	Cleaning the Inverter	32
9.3	Checking the DC switch	32
10	Decommissioning	32
10.1	Dismantling the Inverter	32

10.2 Packing the Inverter	33
10.3 Storing the Inverter	33
10.4 Disposing of the Inverter	33
11 Operating Modes	34
12 Manufacturer Warranty	34
13 Technical Data	35
14.Contact.....	37

1 Notes on this manual

1.1 Validity

This manual describes the assembly, installation, commissioning and maintenance of the hybrid inverter.

This manual does not cover any details concerning equipment connected to the unit (e.g. PV modules). Information concerning the connected equipment is available from the manufacturer of the equipment.

1.2 Target Group



CAUTION

This manual is for qualified personnel. Qualified personnel have received training and have demonstrated skills and knowledge in the construction and operation of this device. Qualified personnel are trained to deal with the dangers and hazards involved in installing electric devices.

1.3 Additional information

Find further information on special topics in the download area.

1.4 Storage of the manuals

The manual and other documents must be stored in a convenient place and be available at all times. We assume no liability for any damage caused by failure to observe these instructions.

1.5 Symbols Used

The following types of safety instructions and general information appear in this document as described below:



Read the manual!



DANGER

Danger indicates a hazardous situation which, if not avoided, will result in death or serious injury.



WARNING

WARNING indicates a hazardous situation which, if not avoided, could result in death or serious injury.



CAUTION








CAUTION indicates a hazardous situation which, if not avoided, could result in minor moderate injury.



NOTE





Failure to observe a warning indicated in this manual may lead to damage to property

1.6 Markings on this product

Symbol	description
	<p>Warning regarding dangerous voltage The product works with high voltage. All work on the product must only be performed as described in its documentation.</p>
	<p>Beware of hot surface The product can become hot during operation. Do not touch the product during operation.</p>
	<p>Observe the operating instructions Read the product's documentation before working on it. Follow all safety precautions and instructions as described in the documentation.</p>
	<p>Point of connection for grounding protection.</p>
	<p>Direct Current (DC)</p>
	<p>Alternating Current (AC)</p>
	<p>Signals danger due to electrical shock and indicates the times (5 minutes) to allow after the inverter has been turned off and disconnected to ensure safety in any installation operation.</p>

2 Safety and conformity

2.1 Safety Instructions

 DANGER
Danger to life due to lethal voltages! Lethal voltages are present within the unit and on the power supply lines. Therefore, only authorized electricians may install and open the unit. Even when the unit is disconnected, high contact voltages may still be present within the unit.
 DANGER
Danger of burn injuries due to hot enclosure parts! During operation, the four sides of the enclosure lid and the heat sink may become hot. Only touch the front enclosure lid during operation.
 CAUTION
Possible damage to health as a result of the effects of radiation! In special cases, there may still be interference for the specified application area despite maintaining standardized emission limit values (e.g. when sensitive equipment is located at the setup location or when the setup location is near radio or television receivers). In this case, the operator is obliged to take proper action to rectify the situation. Do not stay closer than 20 cm to the inverter for any length of time.
 NOTE
Grounding the PV generator Comply with the local requirements for grounding the PV modules and the PV generator. we recommends connecting the generator frame and other electrically conductive surfaces in a manner which ensures continuous conduction with ground these in order to have optimal protection of the system and personnel.



NOTE

Capacitive Discharge Currents

PV modules with large capacities relative to earth, such as thin-film PV modules with cells on a metallic substrate, may only be used if their coupling capacity does not exceed 470nF. During feed-in operation, a leakage current flows from the cells to earth, the size of which depends on the manner in which the PV modules are installed (e.g. foil on metal roof) and on the weather (rain, snow). This "normal" leakage current may not exceed 50mA due to the fact that the inverter would otherwise automatically disconnect from the electricity grid as a protective measure.

◆ **DC and AC breaker**

Separate the unit securely from the grid and the PV generators, battery using DC and AC breaker. DC and AC breaker shall be able to disconnect all non-ground conductors after installation.

◆ **Grounding the PV modules**

The unit is a transformerless inverter. That is why it has no galvanic separation. Do not ground the DC circuits of the PV modules connected to the unit. Only ground the mounting frame of the PV modules.

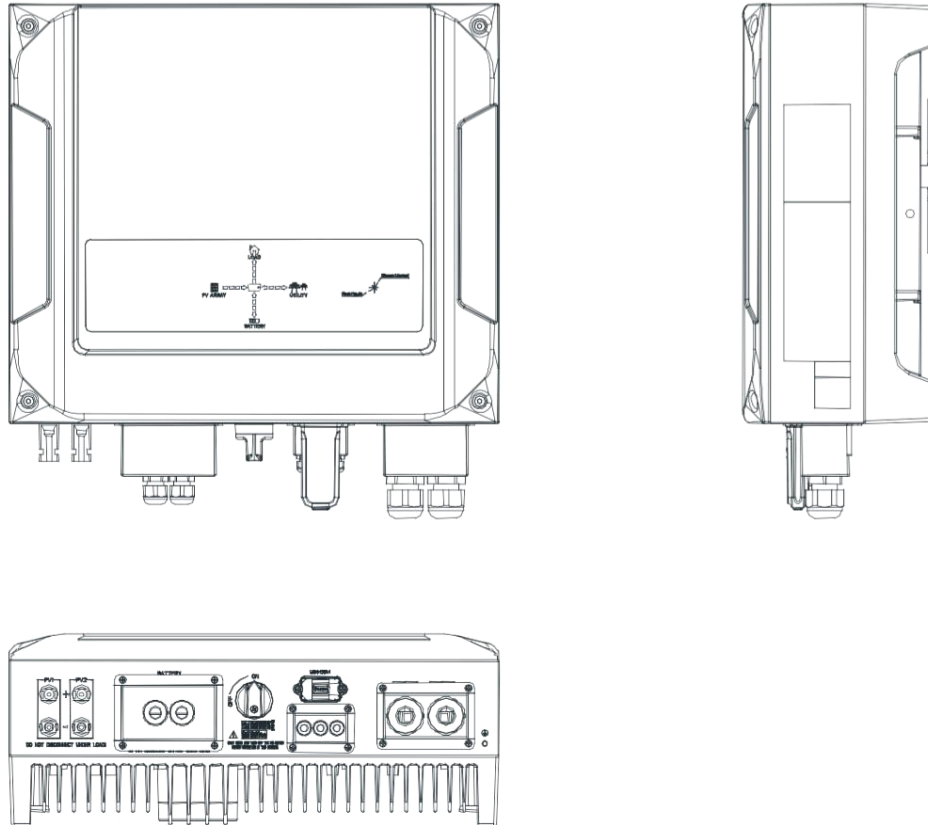
If you connect grounded PV modules to the unit the error message "PV ISO Low".

◆ **Qualification of Skilled Workers**

- Knowledge of how an inverter works and is operated
- Instruction in how to deal with the dangers and risks associated with installing and using electrical devices and plants
- Training in the installation and commissioning of electrical devices and plants
- Knowledge of all applicable standards and guidelines
- Knowledge and observance of this manual and all safety instructions

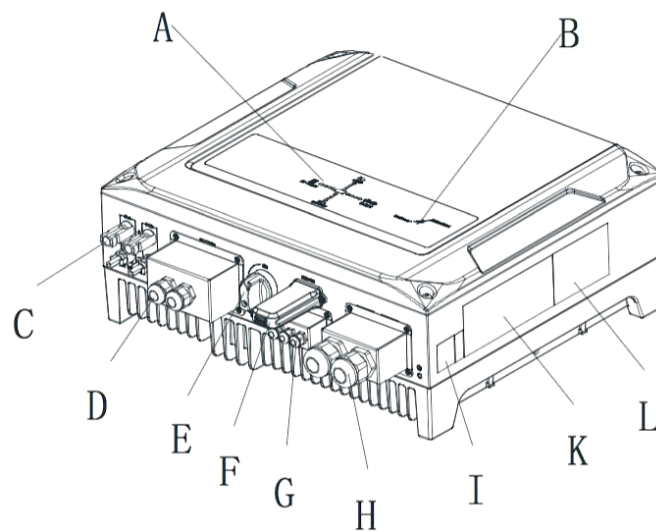
3 Product Description

3.1 Inverter Overview



3.2 Information of the unit

The unit is bidirectional which applies to the PV system with battery storage. Energy produced by the PV system is used to optimize self-consumption; excess energy is used to charge the batteries, and then fed into the public grid when the PV energy is adequate, When PV energy output is insufficient to support connected loads, the system automatically get energy from the batteries if battery capacity is sufficient. If the battery capacity is insufficient to meet own consumption requirements, electricity will be drawn from the public grid.



A	The inverter power flow direction indicator
B	The inverter operation status indicator
C	PV input terminals
D	Battery input terminals and cover
E	PV input switch
F	WIFI com module and USB port
G	BAT._NTC and RS485 communication (BMS com, load monitor com,)
H	AC Output terminals and cover
I	Inverter Serial No.
k	Spec label
L	Warning signals label

3.3 Storage of Inverter

If you want to store the unit in your warehouse, you should choose an appropriate location to store the inverter.

- The unit must be stored in original package and desiccant must be left in the package.
- The storage temperature should be always between -25°C and $+60^{\circ}\text{C}$. And the storage relative humidity should be always between 0 and 95%.
Note; the battery storage much be according with the battery spec.
- If there are a batch of unit need to be stored, the maximum layers for original

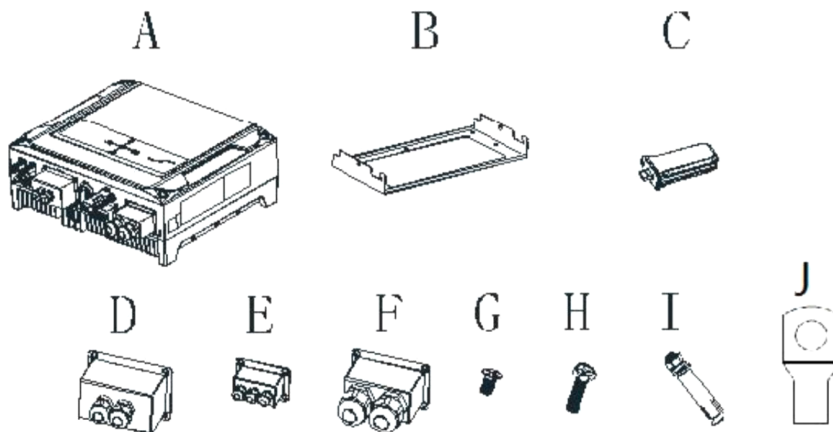
carton is four.

4 Unpacking

Thoroughly inspect the packaging upon received. If any damage to the carton is visible, or if you find that the unit is damaged after unpacking, please notify the shipping company immediately.

Meanwhile please check the delivery for completeness and for visible external damage to the unit. If there is anything damaged or missing, please contact your dealer. Don't dispose its original package. If you want to transport the unit, it is better to store the unit into the original package.




Complete delivery should contain as follows:



Item	Name	Quantity
A	Inverter	1
B	Mounting frame	1
C	WIFI	1
D	BAT wire cover	1
E	BMS,RS485 com wire cover	1
F	AC output cover	1
G	Cover screw	14
H	Inverter hold screw	2
I	Mounting frame screw	6
J	Battery input terminal	2

5 Installation and Electrical Connection

5.1 Safety

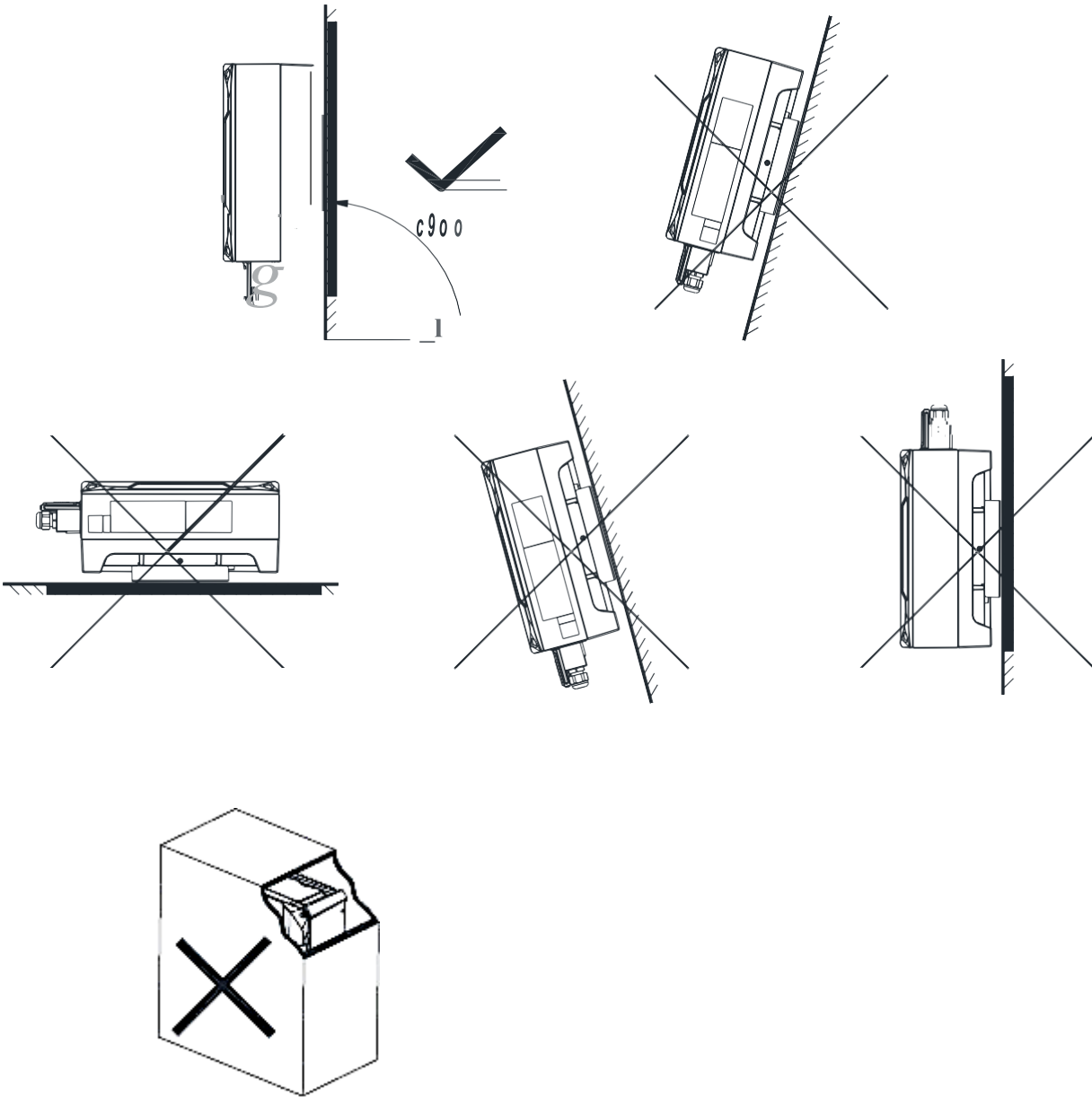
 <p>DANGER</p> <p>Danger to life due to fire or explosion Despite careful construction, electrical devices can cause fires. Do not install the inverter on easily flammable materials and where flammable materials are stored.</p>
 <p>DANGER</p> <p>Risk of burns due to hot enclosure parts Mount the inverter in such a way that it cannot be touched inadvertently.</p>
 <p>DANGER</p> <ul style="list-style-type: none"> ➤ All electrical installations shall be done in accordance with the local and national electrical codes. Do not remove the casing. Inverter contains no user serviceable parts. Refer servicing to qualified service personnel. all wiring and electrical installation should be conducted by qualified service personnel. ➤ Carefully remove the unit from its packaging and inspect for external damage. If you find any imperfections, please contact your local dealer. ➤ Be sure that the inverters are connected to the ground in order to protect property and personal safety. ➤ The inverter must only be operated with PV generation. Do not connect any other source of energy to it. ➤ Both AC and DC voltage sources are terminated inside the PV Inverter. Please disconnect these circuits before servicing. ➤ This unit is designed to feed power to the public power grid (utility) only. Do not connect this unit to an AC source or generator. Connecting Inverter to external devices could result in serious damage to your equipment. ➤ When a photovoltaic panel is exposed to light, it generates a Dc voltage. When connected to this equipment, a photovoltaic panel will charge the DC link capacitors. ➤ Energy stored in this equipment's DC link capacitors presents a risk of electric shock. Even after the unit is disconnected from the grid and photovoltaic panels, high voltages may still exist inside the PV-Inverter.

Do not remove the casing until at least 5 minutes after disconnecting all power sources.

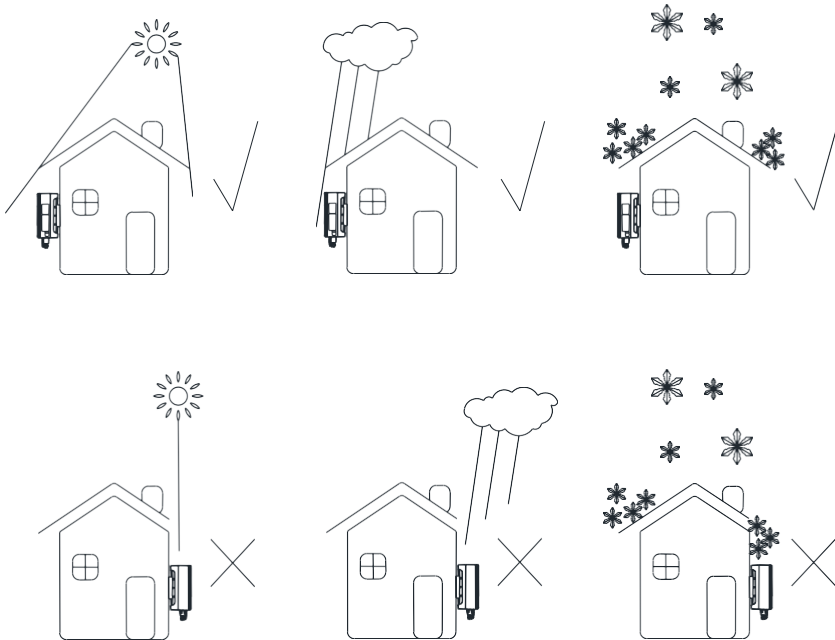
- Although designed to meet all safety requirements, some parts and surfaces of Inverter are still hot during operation. To reduce the risk of injury, do not touch the heat sink at the back of the PV-Inverter or nearby surfaces while Inverter is operating.

5.2 Selecting the installation location

- This is guidance for installer to choose a suitable installation location, to avoid potential damages to device and operators.
- Raintight or wet location hubs that comply with the requirements mentioned in this installation manual are permitted.
- The unit shall be mounted at least 914 mm (3 feet) above the ground.
- The installation location must be suitable for the inverter's weight and dimensions for a long period time.
- Select the installation location so that the status display can be easily viewed.
- Do not install the inverter on structures constructed of flammable materials.
- The humidity of the installation location should be 0~95% without condensation.
- The installation location must safely accessible to get at all times.
- Vertically installation or tilted backwards by max. 15°. and make sure the connection of inverter must be downwards. Never install horizontal and avoids forward and sideways tilt.
- Be sure that the inverter is out of the children's reach.
- Don't put any things on the inverter. **Do not cover the inverter.**
- Do not install the inverter near television antenna or any other antennas, antenna cables.
- Inverter requires adequate cooling space. Providing better ventilation for the inverter to ensure the heat escape adequately. The ambient temperature should be below 40°C to ensure optimum operation. Please make sure the inverter is installed at the right place ,

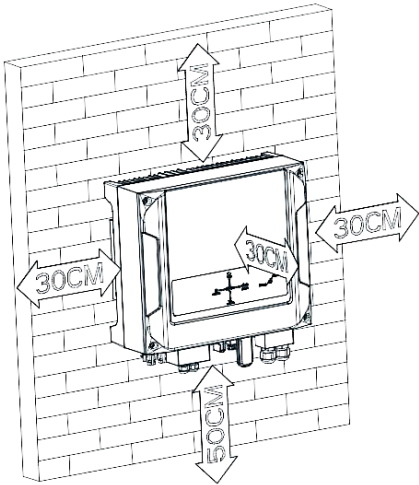


- The inverter can't install to direct sunlight, direct heavy water sources or infirm locations. We suggest that the inverters should be installed at the location with some cover or protection.

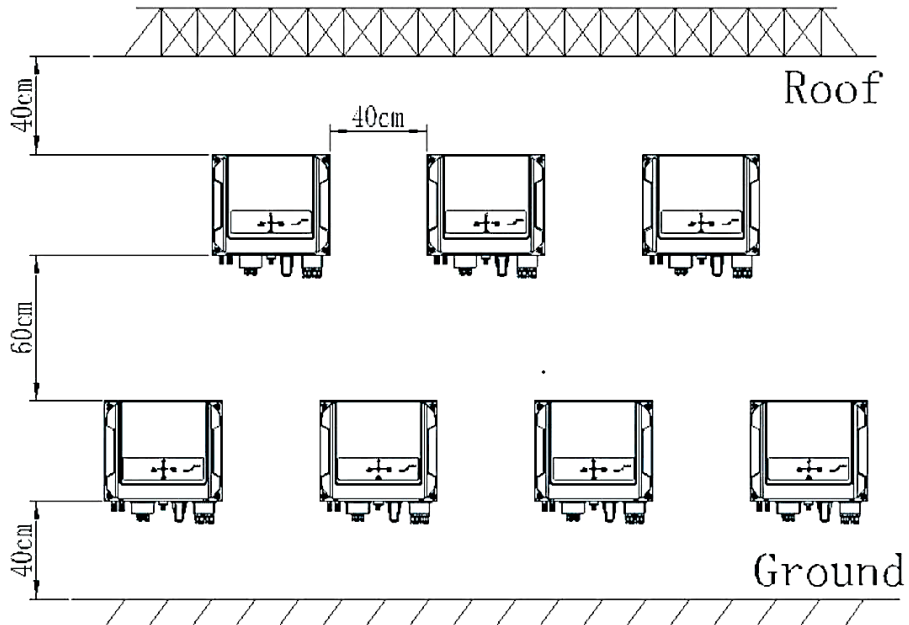


- Observe the minimum clearances to walls, other inverters or objects as shown in the diagram below in order to guarantee sufficient heat dissipation.

Direction	Min. clearance (cm)
above	30
below	50
sides	30
front	30



Ambient dimensions of one inverter



Ambient dimensions of a series inverters

- There must be sufficient clearance between the individual inverters to ensure that the cooling air of the adjacent inverter is not taken in.
- If necessary, increase the clearance spaces and make sure there is enough fresh air supply to ensure sufficient cooling of the inverters.

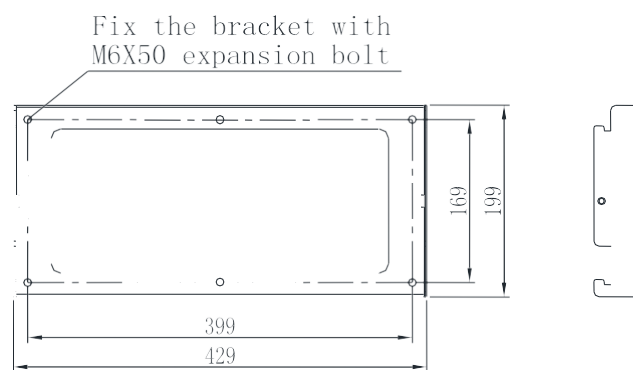
5.3 Mounting the Inverter with bracket



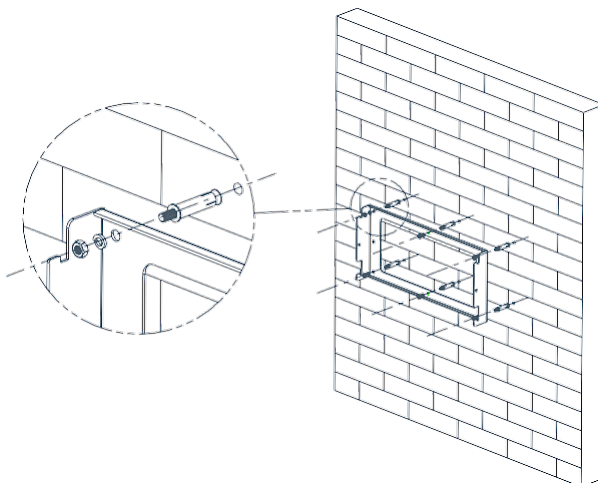
WARNING

In order to avoid electrical shock or other injury, inspect existing electronic or plumbing installations before drilling holes.

- The dimension of bracket as follow:



- Using the mounting frame as a template, drill holes as illustrated in image. Fix the mounting frame as the figure shows. Do not make the screws to be flush to the wall. Instead, leave 2 to 4mm exposed.



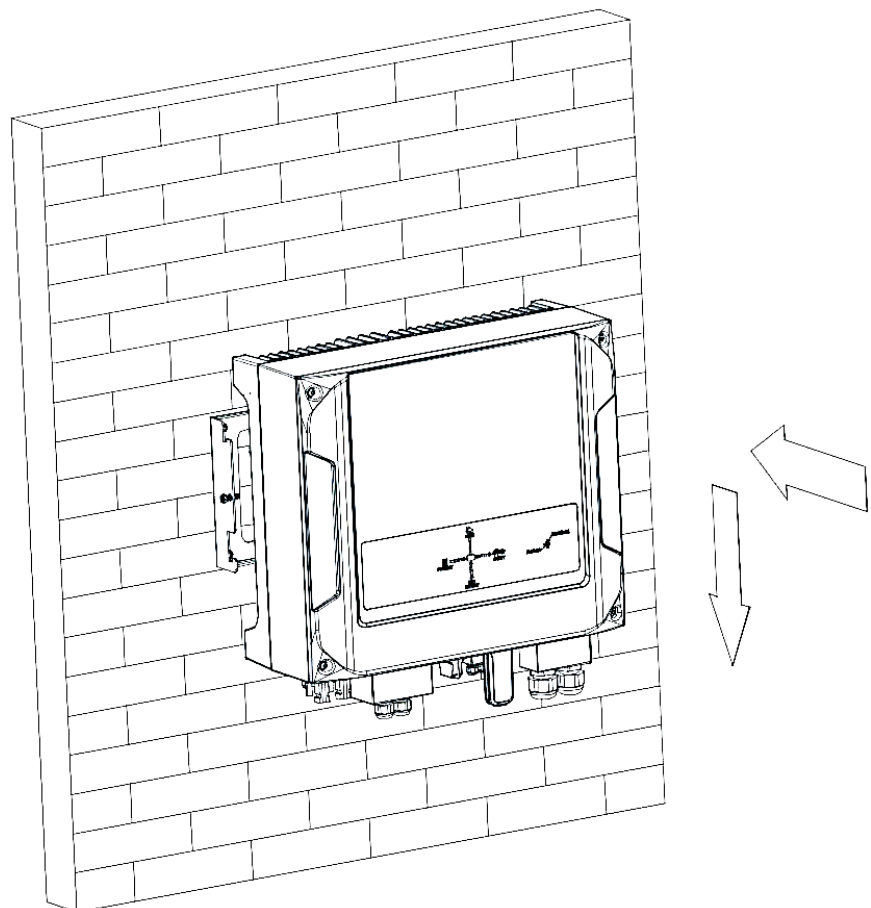
5.4 Fixed the inverter on the wall



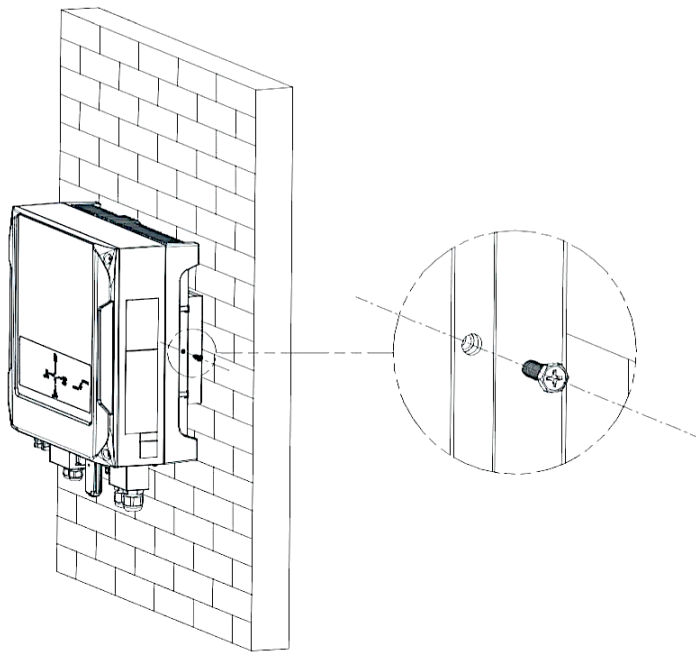
WARNING

Falling equipment can cause serious or even fatal injury, never mount the inverter on the bracket unless you are sure that the mounting frame is really firmly mounted on the wall after carefully checking.

- Raise the inverter a little higher than the bracket. Considered the weight of them. During the process please maintain the balance of the inverter. Hang the inverter on the bracket through the match hooks on bracket.



- After confirming the inverter is fixed reliably, fasten four M6 safety-lock sockets head cap screws on the left and right side firmly to prevent the inverter from being lifted off the bracket.




5.5 Check Inverter Installation Status

- Check the upper straps of inverter and ensure it fits on to the bracket.
- Check the secure mounting of the inverter by trying to raise it from the bottom. The inverter should remain firmly attached.
- Choose a strong mounting wall to prevent vibrations while inverter operating.

5.6 Electrical Connection


5.6.1 Safety



DANGER


Danger to life due to lethal voltages!
 High voltages which may cause electric shocks are present in the conductive parts of the inverter. Prior to performing any work on the inverter, disconnect the inverter on the AC side, PV side, battery side..

Do not reverse input of battery! That will be destroyed the inverter!



WARNING

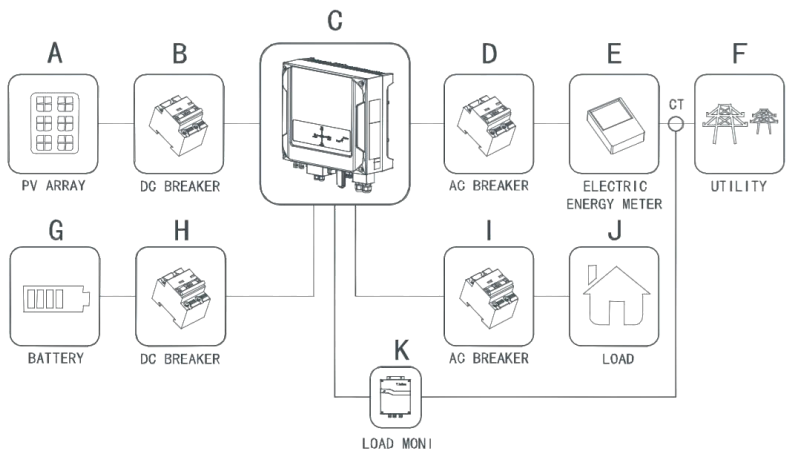
Danger of damage to electronic components due to electrostatic discharge. Take appropriate ESD precautions when replacing and installing the inverter.



DANGER

Grounding
 Before connecting the power cables, you must connect ground wire first.

5.6.2 System Diagram with Inverter Electrical

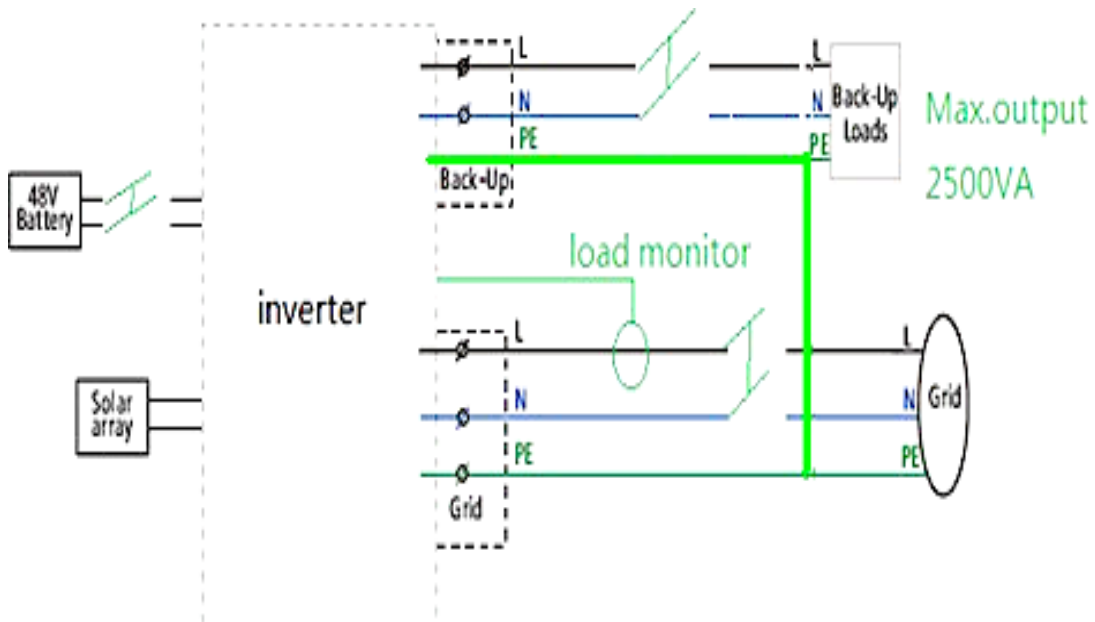


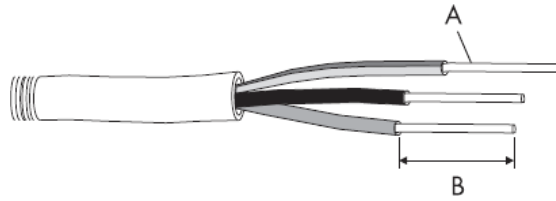
Position	Description
A	PV modules
B	PV side breaker
C	Inverter
D	Main AC output breaker
E	Energy meter
F	Utility grid
G	Battery
H	Battery DC breaker
I	Back-up output breaker(max.2500VA)
J	Important load (max.2500VA)
K	Load monitor



NOTE

- Use only solid or stranded wire but not fine stranded wire.
- Use cables with high ambient temperatures.
 - Use cables with a large cross-section .

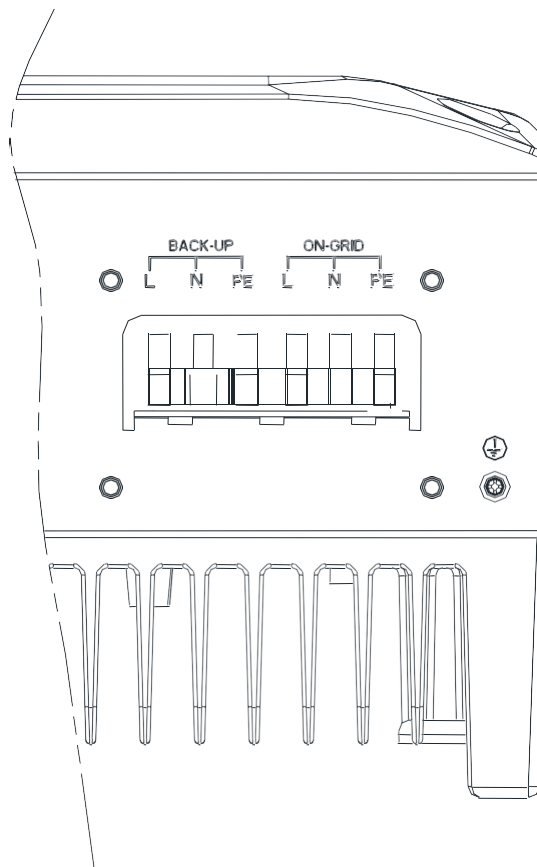




Code	Name	Detail
A	Conductor cross-section	See the Conductor cross section in the flowing chart
B	Bare length	8mm around


5.6.3 Connecting to the grid (AC utility)

Connecting to the grid.



Output connection terminal

- You must install an AC separate circuit-breaker or other load disconnection unit between the inverter and utility, in order to ensure that the inverter can be safely disconnected under load.



WARNING

The separate disconnection unit spec require as follow:

Voltage: the voltage much not less than the AC grid voltage which you connection.


Current: the current much not less than 1.2 times of the inverter max output current which defined in the inverter spec.

We suggest the AC separate unit spec as follow:

Model	3600HY	4600HY	5000HY
	25A	32A	32A

- Output cable requirements

Product Model	Area(mm ²)	AWG No.
3600HY	5.26~9.0	8~10
4600HY	5.26~9.0	8~10
5000HY	5.26~9.0	8~10



NOTE

The cable length should not exceed 50m, the resistance of the cable will consume inverter output power, resulting in reduced efficiency .

Connecting to the back-up.

The back-up can provide max output power 2500VA, you can connect the important load to the back-up terminal, however the on grid or the off grid , You must install an AC separate circuit-breaker or other load disconnection unit between the inverter back-up output and the important load, in order to ensure that the inverter can be safely disconnected under load. We suggest the separate unit spec is **20A**.



WARNING

The back-up MAX output power is 2500VA, if the load greater than 2500VA, and the inverter had check 3 times, the inverter will stop output.
The output power of back-up depends on the battery capacity.

5. 6.4 Connect to PV Panel



DANGER

Risk of electric shock and fire, use only with PV modules, and with a maximum system voltage of 600Vdc.



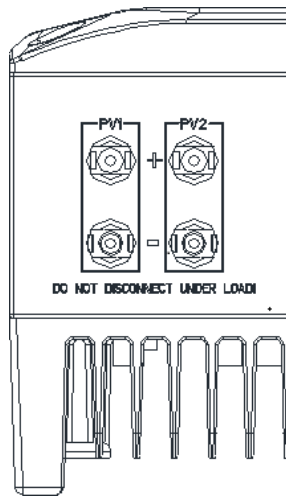
DANGER

Electric shock hazard, the DC conductors of this photovoltaic system are normally ungrounded but will become intermittently grounded without indication when the inverter measures the PV array isolation.
Because of the transformer less design, the DC positive pole and DC negative pole of PV arrays are not permitted to be grounded.



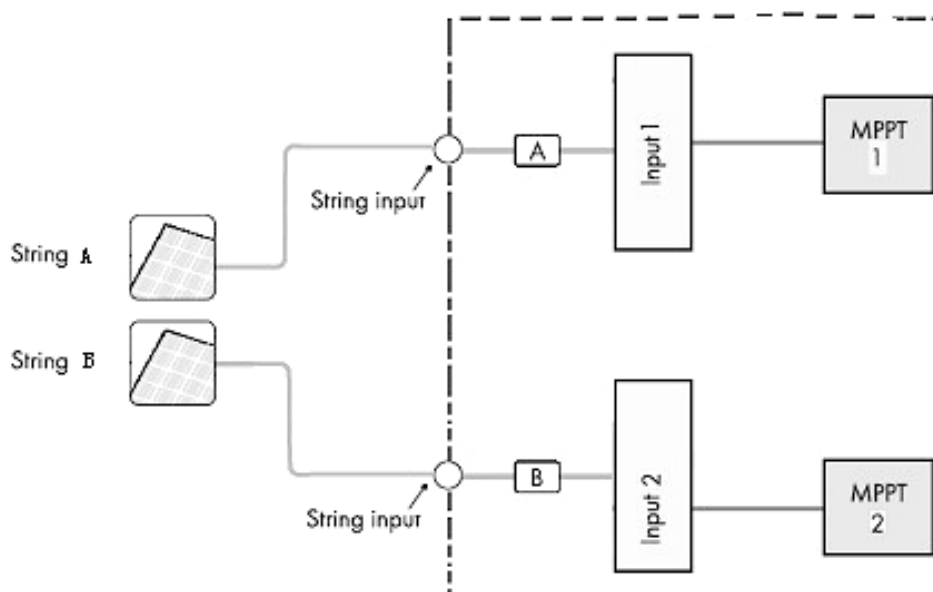
DANGER

Do not disconnect the DC connectors under load!



PV Input connection terminal

There are two MPPT's on the unit, so you can connect two independent MPPT channels.



- Suggestions for the PV modules of the connected strings:
 - ◆ Same type
 - ◆ Same quantity of PV modules connected in series


- **Under any condition!** Make sure the maximum open circuit voltage (Voc) of each PV string **is less than 600Vdc**.
 - ◆ Do not connect strings with an open circuit voltage greater than the MAX input voltage of the inverter. If the strings voltage exceeds the Max. input voltage of the inverter, it can be destroyed due to overvoltage. All warranty claims become void.
 - ◆ Check the design of the PV plant. The Max. open circuit voltage, which can occur at solar panels ambient temperature of -10°C, must not exceed the Max. input voltage of the inverter.
- Before connecting PV panels to DC terminals, **please make sure the polarity is correct**. Incorrect polarity connection could permanently damage the unit. Check short-circuit current of the PV string. The total short-circuit current of the PV string should be less than the inverter's maximum DC current.
- Connect the positive and negative terminals from the PV panel to positive (+) terminals and negative (-) terminals on the PV-Inverter. Each DC terminal on Inverter can withstand **11A**.
- For instance, if the positive pole of a string is connected at MPPT A and 1st string's negative pole at MPPT B, this is called a mixed connection, the inverter no longer fulfils the requirements of the EMC Directive.
- Only connect strings at one input zone and never mix the input zones A and B!
- High voltages exist when the PV panel is exposed to the sun. To reduce risk of electric shock, avoid touching live components and treat connection terminals carefully

- **Cable requirements :**

Product Model	Area(mm ²)	AWG No.
3600HY	5.26~9.0	8~10
4600HY	5.26~9.0	8~10
5000HY	5.26~9.0	8~10

5.6.5 connect to the battery

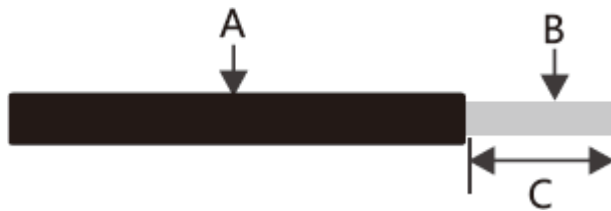
- Before connecting to the battery, you must install a separate DC breaker (not less than 120A) between inverter and battery, that will ensure the inverter can be securely disconnected during maintenance.



DANGER

Reversed polarity will damage the inverter!!!

- It is very important for system safety and efficient operation to use appropriate cable for battery connection. To reduce risk of injury, you must use the proper recommended cable size, refer to the follow;



Grade	Description	Value
A	O.D.	10~12mm
B	Conductor Material Sectional Area	20~25mm ²
C	Bare Wire Length	10mm around

- The battery install much accordance with the manufacture's user manual. including install indoors or outdoors and the distance to the inverter.
- The MAX charge/discharge current is 50A of the inverter, check the battery current in the spec.
- The inverter's battery rated voltage is 48V, the battery series connection voltage much not exceed 48V or it will damage the inverter!

Follow the below steps to implement the battery connection:

- 1, Check the battery nominal voltage meet the inverter spec.
- 2, Disconnect the breaker between inverter and battery.
- 3, Check out the polarity of the battery and the inverter.
- 4, Compress the terminal head by professional tool.
- 5, Screw the wire cable to the inverter's battery input terminal.
- 6, If the inverter connects to the lithium battery, must connect the BMS to the BMS -RS485 communication port (we recommend using **the GivEnergy** appointed lithium battery, because the battery BMS communication **meet the GivEnergy** inverter.)



DANGER

Danger to life due to voltages!

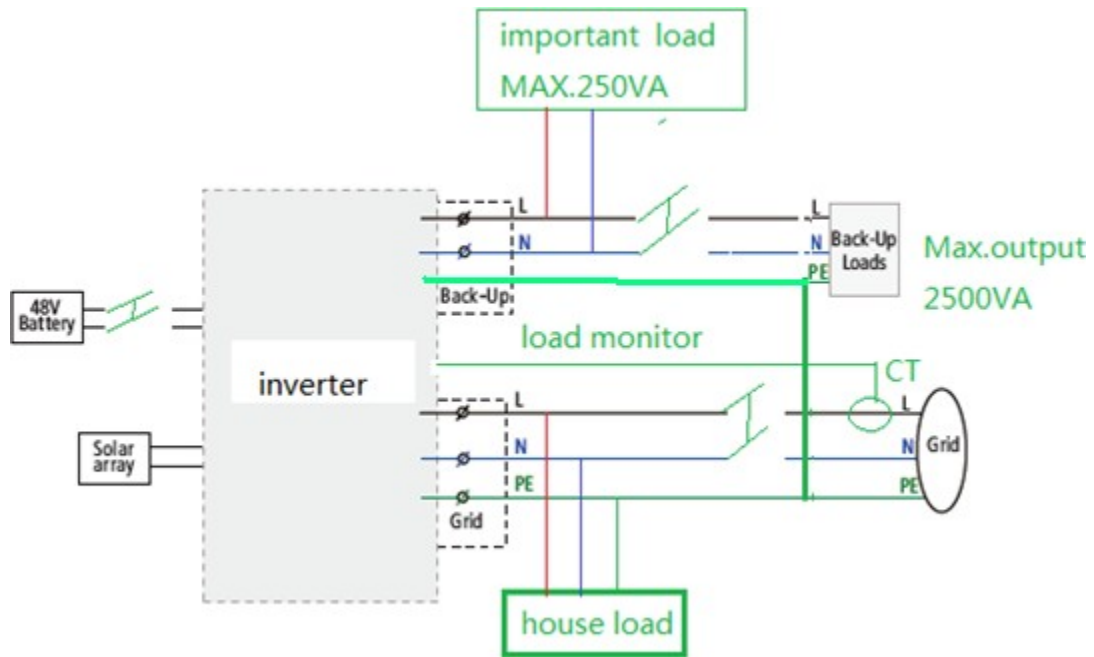
Before operating with the communication ports, must turn off the inverter, checking all the separate breaker are off, and the inverter's LED is off. Then operation can go on.

5.6.6 Load monitor connect to the inverter

In the system, much install a CT to monitor the power of the house to decision the inverter status, charger or discharger. The load monitor module is to do that.

The load monitor input is 230Vac/50HZ. You can connect to the grid.

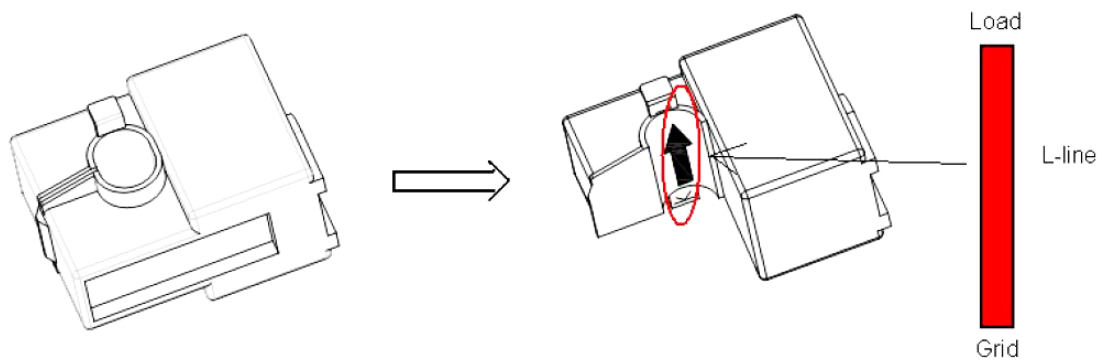
The CT much install at the beginning from the gird to the house, in this case, the inverter can monitor all the power of the house using, according with the sensor, the inverter control the PV power to feed to the grid to balance the power of the house make input power from grid is zero.



The CT installs direction as follow:

The direction of the CT mark “K” arrow is point to the GRID!

And the load monitor communication to the inverter via RS 485. Check the RS+ and RS- signal wiring is right!



WARNING

The load monitor input L-line much same as the CT sensor L-line, and the input of the load monitor L&N cannot reverse. Or the inverter will do the reverse direction power control. PV power will not store to the battery, The battery cannot discharge the power to the house load.

6 The inverter parameter setting

With the WIFI app, you can through the local mode to set the battery parameter, and the grid charger time, inverter discharge time and so on .

Without setting the parameters, the inverter will cannot work optimally.



WARNING

Check out all the wires connect OK, before turn on the battery breaker and the AC breaker, you should turn on the PV switch first to light the inverter, and you much set the parameter of battery according to your battery system and work status times prior. Or the inverter will work at defined status, that may be not conform to the battery voltage and the capacity.

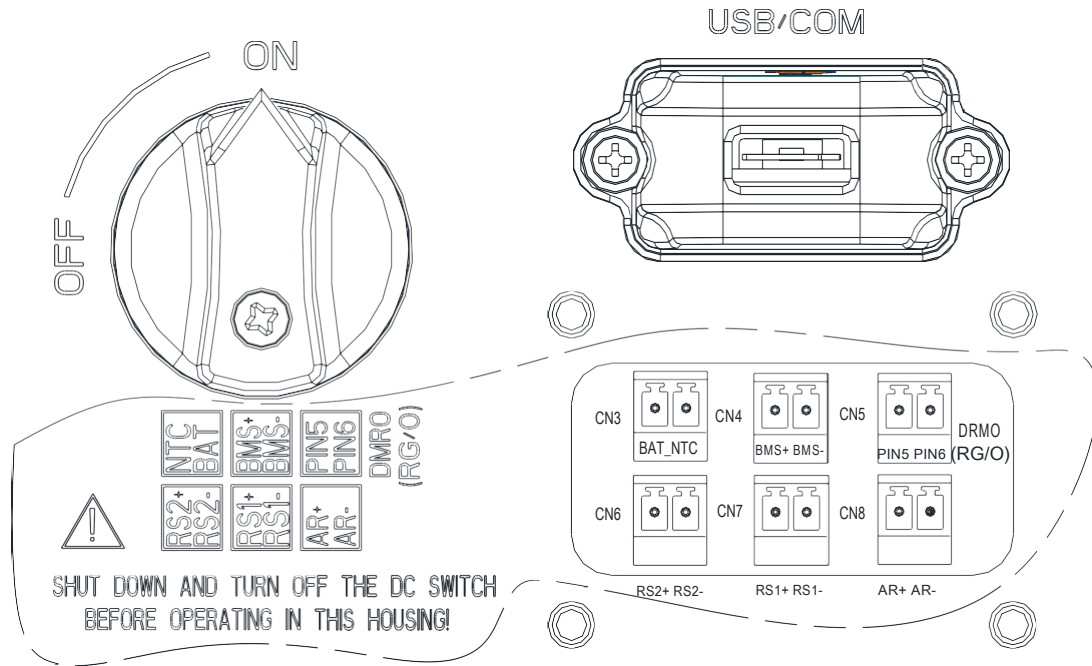
7 Communications

7.1 WIFI

The GivEnergy series of inverter use WIFI as standard wireless communication. Please read the WIFI module's User Manual first, or visit our website for relative information.

7.2 the DRM0 function for SAA certification

The DMR0 funtion of the GivEnergy series inverter provided for SAA. The DRM0 connection CN5 in the front plate, as the picture:



When it receives the order from DRM0 connection, the inverter will act responding to the order, the inverter must POWER OFF or POWER ON .

8 Start-Up and Shut Down of the inverter

8.1 Start-Up the inverter

1. Connect the AC circuit breaker
2. Turn on the DC switch,
3. Turn on the battery breaker.
4. The inverter will start automatically when the PV voltage is higher than 150V. the battery voltage is higher than 46.4V.

8.2 Disconnecting the Inverter

1. Disconnect the AC circuit breaker and prevent it from being reactivated.
2. Disconnect the Battery breaker and prevent it from being reactivated.
3. Turn off the PV switch.
4. Check the inverter operating status.
5. Wait until LED display have gone out, the inverter is shut down.

9 Maintenance and Cleaning

9.1 Checking Heat Dissipation

If the inverter regularly reduces its output power due to high temperature, please improve the heat dissipation conditions. Maybe you need to clean the heat sink, or look for other obstructions.

9.2 Cleaning the Inverter

If the inverter is dirty, shut down the inverter, then clean the enclosure lid.

9.3 Checking the DC switch

Check for externally visible damage and discoloration of the breaker, and the cables at regular intervals. If there is any visible damage to the breaker, or visible discoloration or damage to the cables, contact the installer.



WARNING

Once a year, turn the rotary switch of the DC switch from the On position to the Off position 5 times in succession. This cleans the contacts of the rotary switch and prolongs the electrical endurance of the DC Disconnect.

10 Decommissioning

10.1 Dismantling the Inverter



DANGER

Danger of burn injuries due to hot enclosure parts!

Wait 20 minutes before disassembling until the housing has cooled down.

- 1 Disconnect the inverter as described.
- 2 Remove all connection cables from the inverter.
- 3 Screw off all projecting cable glands.
- 4 Lift the inverter off the bracket and unscrew the bracket screws.

10.2 Packing the Inverter

If possible, always pack the inverter in its original carton and secure it with tension belts. If it is no longer available, you can also use an equivalent carton. The box must be capable of being closed completely and made to support both the weight and the size of the inverter.

10.3 Storing the Inverter

Store the inverter in a dry place where ambient temperatures are always between -25°C and $+60^{\circ}\text{C}$.

10.4 Disposing of the Inverter

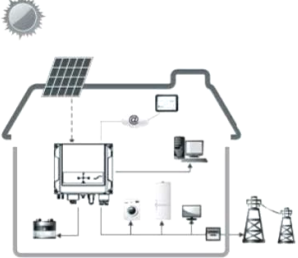


Do not dispose of faulty inverters or accessories together with household waste. Please dispose in accordance with the disposal regulations for electronic waste which apply at the installation site at that time. Ensure that the old unit and, where applicable, and any accessories are disposed of in a proper manner.

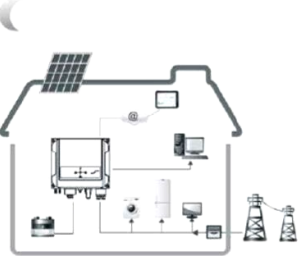
Operating Modes

The inverters have the following main Operating modes.


Mode1 :
Energy produced by the PV system is preferred for local load. And the excess energy is first used for charging batteries, then feeding to the grid.



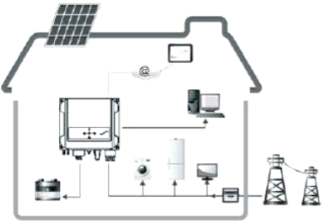
Mode2 :
If there is no PV, battery energy is used for local load first, the grid also can supply when the battery capacity is not enough.



Mode3 :
If the grid is fault or there is no grid, the system can still work, PV and batteries supply energy for local load.



Mode4 :
The battery can be charged by the grid, time and power of battery charging can be set up flexibly.



11 Manufacturer Warranty

This certificate represents a **5** year warranty for the inverter products. Possession of this certificate validates a standard factory warranty of 5 years from the date of purchase, **this must be registered online at www.insertwebhere.com**

12 Technical Data

SPEC	3600HY	4600HY	5000HY
Input Data (DC)			
Max. DC power	3800W	5000W	5400W
Max. DC voltage	600V		
Start voltage	100V		
DC nominal voltage	360V		
PV voltage range	100V-600V		
MPP voltage range	120V-550V		
Max. input current per string of tracker A/tracker B	11A/11A		
Number of independent MPP input	2		
Backfeed current to the array appears	0A		
Output Data (AC)			
Nominal AC output power	3600W	4600W	5000W
Max. AC apparent power	3600VA	4600VA	5000VA
Max. output current	16.4A	21.0A	22.8A
AC nominal voltage; range	220V/230V/240V; 180Vac-280Vac		
AC grid frequency; range	50,60Hz;±5 Hz		
Power factor at rate power	1		
Power factor	0.8leading...0.8lagging		
THDi	<3%		
AC connection	Single phase		
Battery			
Battery type	Lead-acid or Li-ion		
Norminal voltage	48V		
Battery capacity	≥100Ah(depending requirement)		
Energy	4.88kWh(depending requirement)		
Max. discharging /charging power	2500W / 2500W		
Charging curve	3-stage adaptive with maintenance		
Operating voltage range	46.4-57.6V		

Max. charging/discharging current	50A / 50A		
Backup Output			
Output rate power	2500VA		
Peak power	3450VA, 10s		
Output voltage	230Vac \pm 2%, 50Hz (60Hz Optional) \pm 0.2%, THDV<3%(linearload)		
Efficiency			
Max. efficiency	97%	97.10%	97.10%
Euro - eta	96.50%	96.50%	96.50%
MPPT efficiency	99.50%	99.50%	99.50%
Protection Devices			
DC reverse polarity protection	Yes		
DC switch rating for each MPPT	Yes		
Output over current protection	Yes		
Output overvoltage protection-varistor	Yes		
Ground fault monitoring	Yes		
Grid monitoring	Yes		
MAX.inrush current	30A peak		
Max.output fault current	40A peak		
Max.output overcurrent protection	25A rms.		
Integrated all - pole sensitive leakage current monitoring unit	Yes		
General Data			
Dimensions (W / H / D)	495*420*165mm		
Weight	30kg	30kg	30kg
Operating temperature range	-25...+60°C (-13...+140°F) With derating above 45°C (113°F)		
Noise emission (typical)	\leq 25 dB(A)		
Altitude	Up to 2000m (6560ft) Without power derating		
Relative humidity	95%		
Consumption: operating (standby) / night	<5W / < 0.5 W		
Topology	Transformerless		
Cooling concept	Natural		

Environmental Protection Rating	IP65
Features	
PV connection	H4/MC4
Battery connection	Screw terminal
AC connection	Screw terminal
Display	LED
Interfaces: Wi-Fi/USB/GPRS/RS485	Yes/Yes/Opt/Opt
Warranty:	5 years
Certificates and approvals	CE,IEC 62109-1&2, VDE 0126-1-1,G83/2, AS4777&NZS 3100

Note: Backup output power depends on the battery,

Note: Specifications are subject to change without further notice.

14.Contact

Please contact GivEnergy hotline if you need technical support, you may need to give us the following information:

1. Item No. of inverter
2. Product series
3. Error code and description
4. Configuration of your system

INSERT CONTACTS HERE OR STAMP